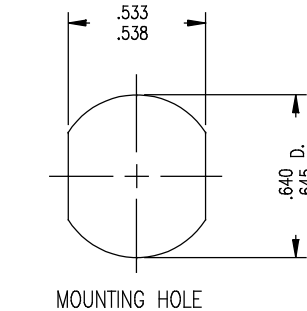
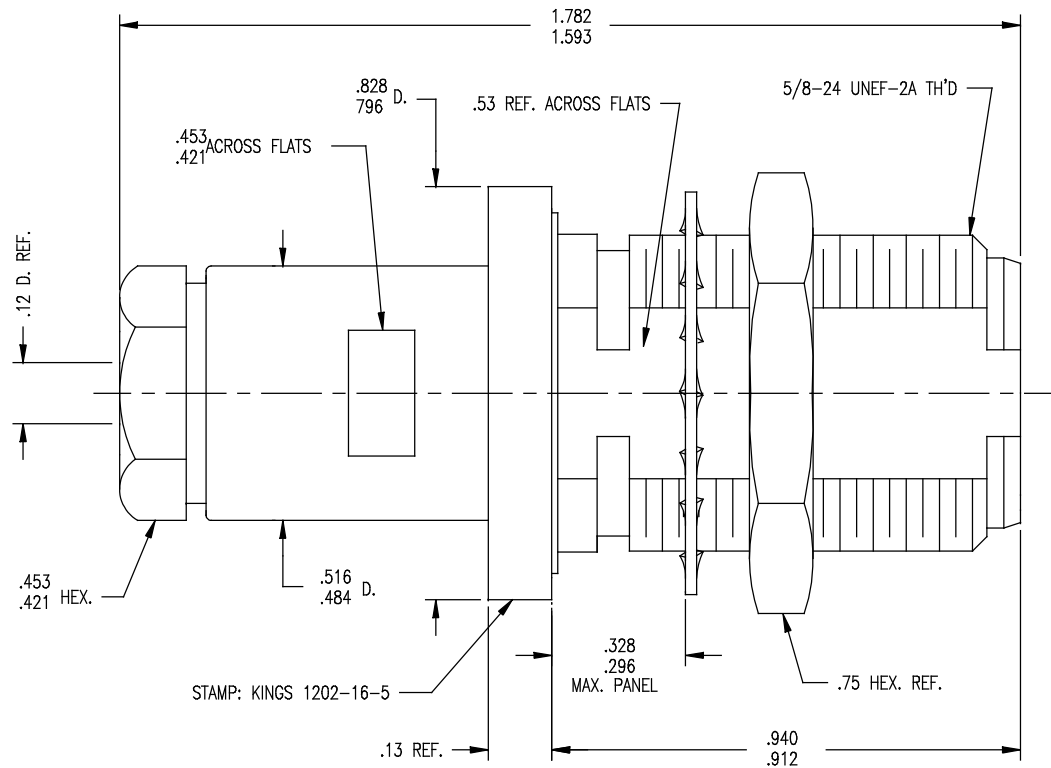


GSD



1202-16-5

REVISIONS	
ISSUE	CHANGES
0	ER 34705 JCA 06/16/93
1	CN 36156 A ME 03/06/95

JCA3968

SCALE	4:1		
APPROX SURFACE AREA			
WAS:	E-17902		
USED ON			
REF:	RAYTHEON 342933-2 REV. G		
JACK, BULKHEAD, N			
DRAWN	JCA	DATE	06/16/93
DESIGN	MJB	DATE	06/17/93
APPR.	VLS	DATE	06/28/93

KINGS
ELECTRONICS CO., INC.
TUCKAHOE, NEW YORK 10707

1202-16-5

GSD

NOTES:

- FOR USE WITH M17/113-RG316, /68-RG187, /94RG179 & /119-RG174 CABLES.
- FOR CABLING INSTRUCTIONS SEE 3-571.
- INTERFACE PER MIL-STD-348, FIG. 304-2.
- MATERIALS:
INSULATORS: TEFLON, ASTM-D-4894
GASKET: SILICONE RUBBER, ZZ-R-765
LOCKWASHER: PHOSPHOR BRONZE, ASTM-B-103
CENTER CONTACT: BER. COP., ASTM-B-196
ALL OTHER METAL PARTS: BRASS, ASTM-B16
- FINISHES:
CENTER CONTACT: GOLD PLATE PER MIL-G-45204
ALL OTHER METAL PARTS: SILVER PLATE PER QQ-S-365
- ELECTRICAL CHARACTERISTICS:
NOMINAL IMPEDANCE: 50 ~W
FREQUENCY RANGE: DC TO 11 GHZ
WORKING VOLTAGE: 1000 VRMS